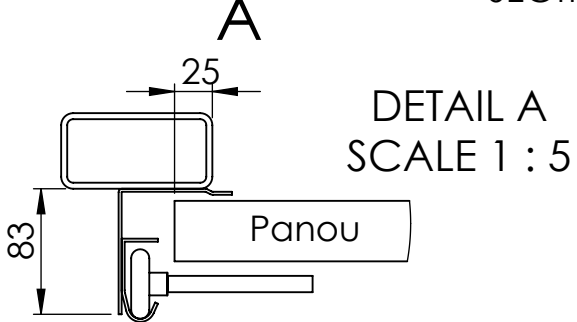
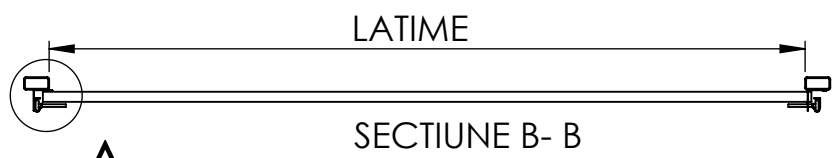
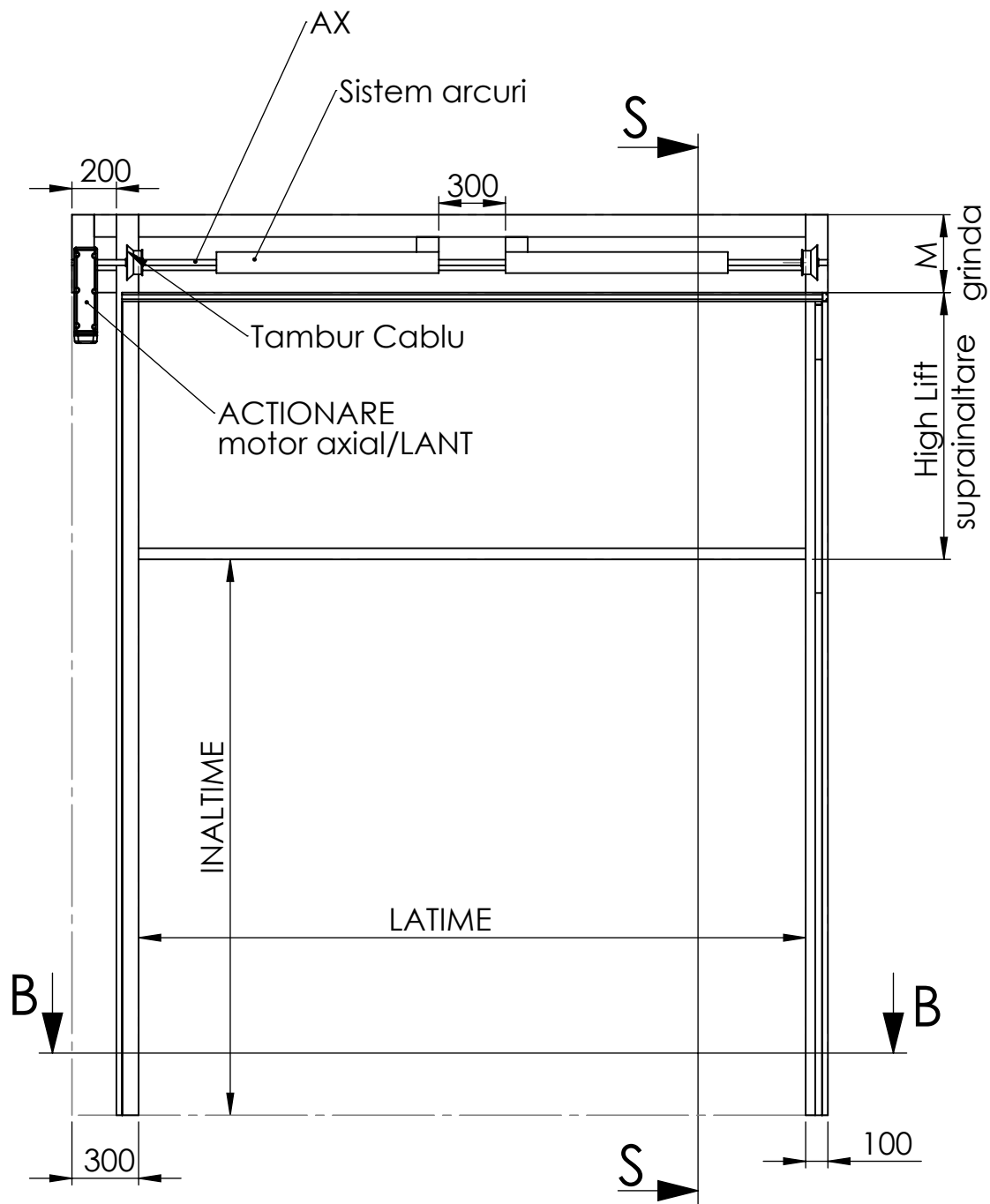
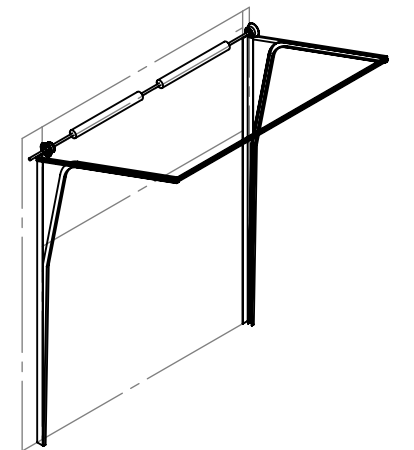
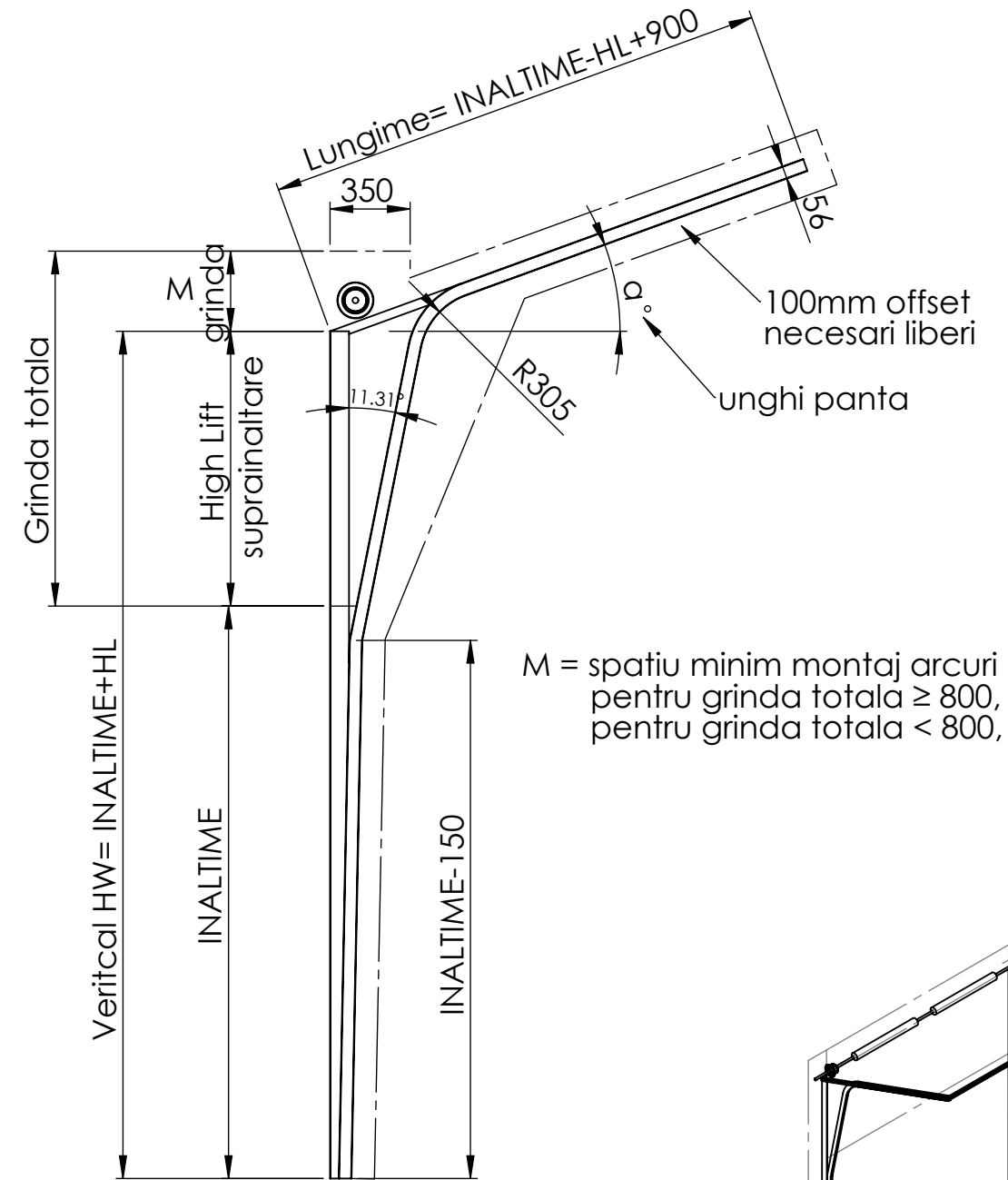


VEDERE FRONTALA - INTERIOR



SECTIUNE LATERALA S-S



modelul prezentat este pentru o usa cu  
 3000 LATIME x 2500 INALTIME, HL=1200, panta=20°

		FINISH:		DEBURR AND BREAK SHARP EDGES		DO NOT SCALE DRAWING		REVISION	
DRAWN		SIGNATURE		DATE		TITLE:		A3	
CHK'D						<h1>High Lift+FTR</h1> <p>Follow the Roof</p> <h2>System HL+FTR</h2>			
APPV'D									
MFG									
Q.A									
				WEIGHT:		SCALE:1:100		SHEET 3 OF 11	